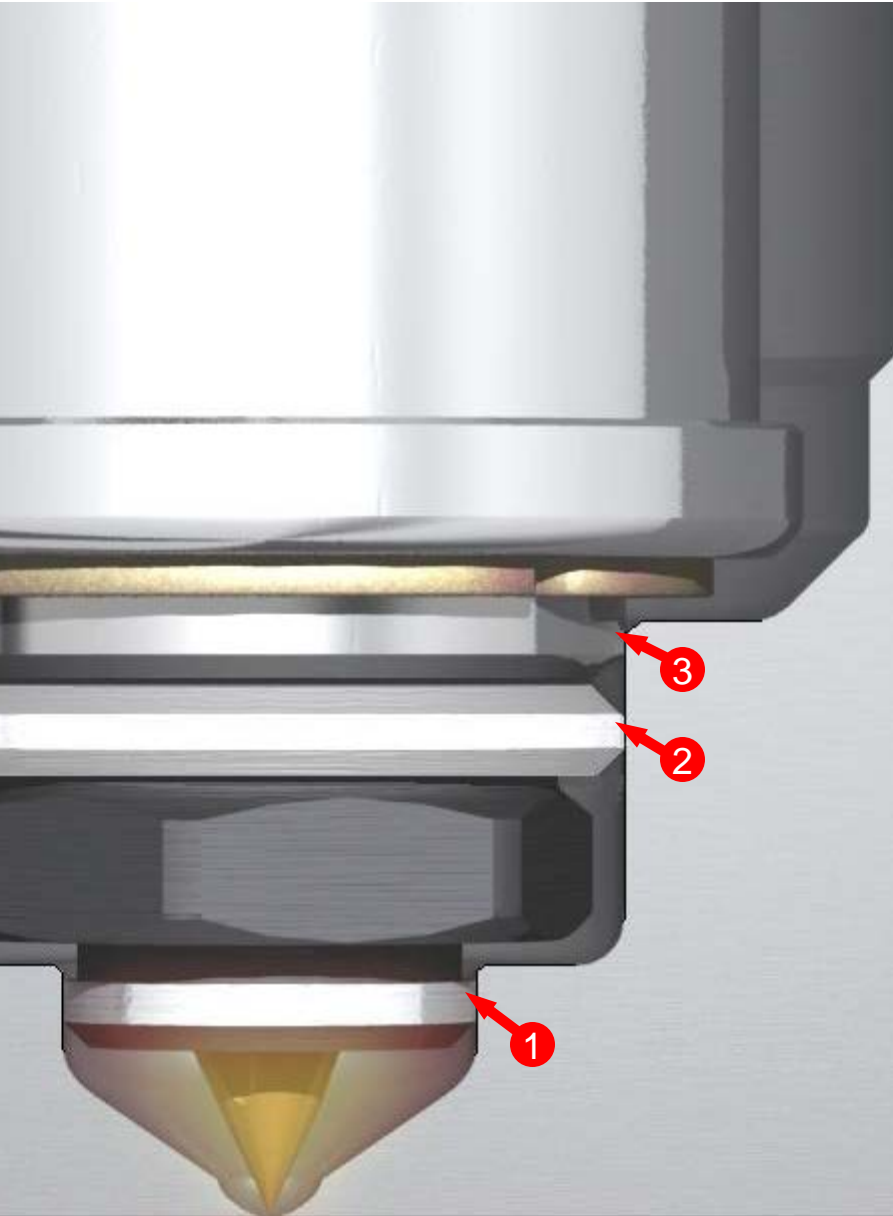


Tri Seal[®] Nozzle Assembly



- 1 2 3
- 3 Seals provide the ultimate barrier protection.
- 2
- Replaceable nozzle seal for easy maintenance.
- Replaceable seals available with extra stock (.010" increments) for easy gate insert repairs.
- Seals are stocked and ready for next day shipping.
- 1
- Primary seal is protected by the secondary replaceable seal to provide a longer seal life.
- Micro well allows for faster color change.



NHF SERIES SHOWN



NHF & NHJ SERIES SHOWN

PATENTED

TGM
TOP GRADE MOLDS
COMPLETE INJECTION MOLD DESIGN
AND MANUFACTURING SERVICES